

# ESL0510A2 PIN-Schottky Diode Limiter

0.5 to 1.0 GHz Octave Band



## Technical Characteristics

### Product Features

- Power Handling: 1 watt CW, 100W peak power  
(1 usec Pulse Width, 0.1% Duty Cycle Derated to 20% @ +125 °C)
- Internal DC return
- Fast recovery time - 200µS typ.
- Limiting threshold above +4dBm typ. & below typ. output leakage
- Low insertion loss

### Maximum Ratings

Storage Temperature:	-65 to +125°
Operating Temperature:	-55 to +90°
Input power:	1 watt CW, 100 watts peak

### Product Export Classification

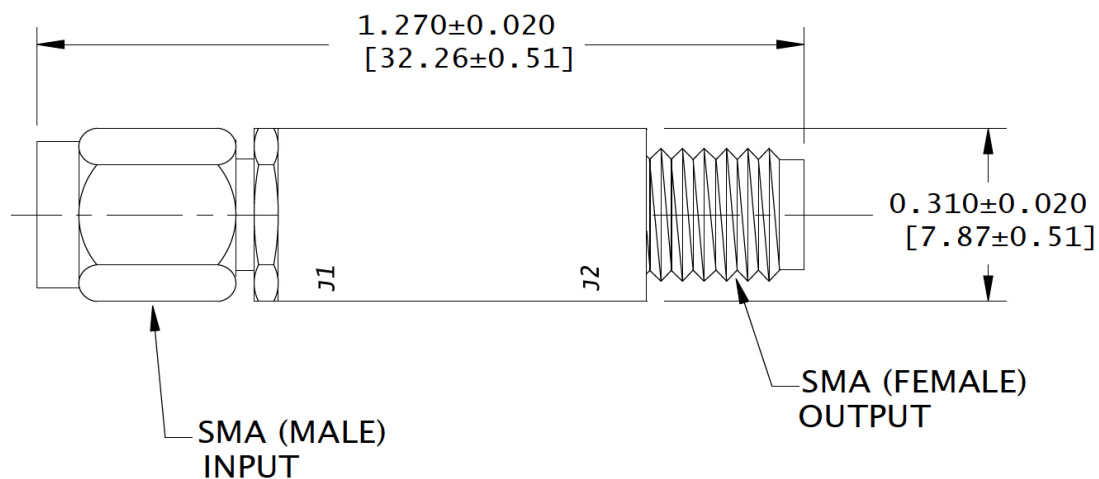
ECCN: EAR 99 (unless otherwise specified)  
HTS: 85543.70.8000

Specifications @ +25°C & -10 dBm input power.

## Electrical Specifications

Parameters	Freq. (GHz)	Min.	Typical	Max.	Units
Insertion Loss	0.5 to 1.0		0.5		dB
VSWR	0.5 to 1.0		1.5:1		-
Leakage Power (CW)	0.5 to 1.0			18.0	dBm CW
				20.0	dBm Peak
Operating Temperature		-55		90	°C

Outline drawing



### Notes:

1. Limiter has an internal DC block.
2. Typical values are measured at +25°C and are not guaranteed.